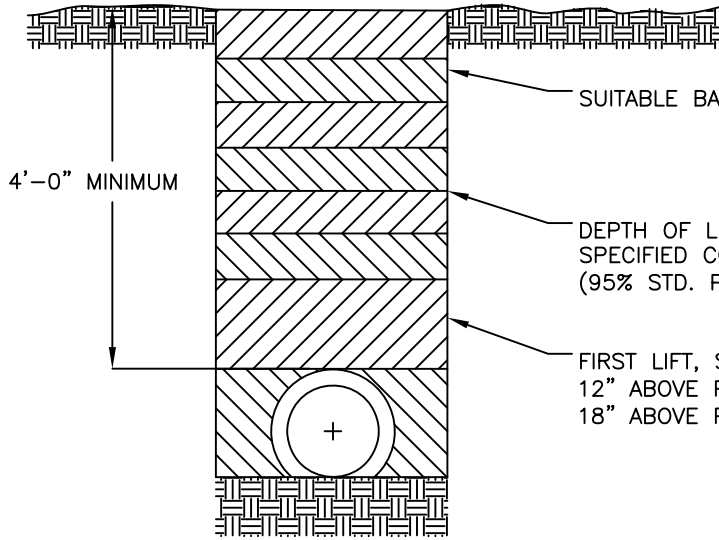


EXISTING GROUND



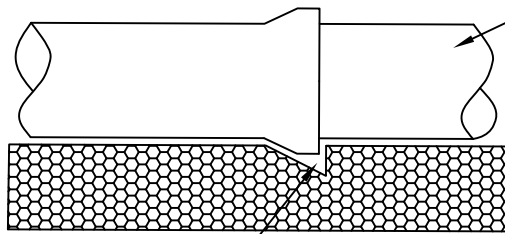
SUITABLE BACKFILL

4'-0" MINIMUM

DEPTH OF LIFTS TO ACHIEVE SPECIFIED COMPACTION (95% STD. PROCTOR, MINIMUM)

FIRST LIFT, SELECTED BACKFILL MINIMUM OF 12" ABOVE PIPE (MECHANICAL TAMP) 18" ABOVE PIPE (MOBILE TAMP)

See Specs for Trench Width Based on Diameter of Pipe



PIPE MAY BE BEDDED DIRECTLY ON NATIVE SOIL UNLESS OVER-EXCAVATION HAS OCCURRED IN WHICH CASE AGGREGATE BEDDING MAY BE REQUIRED.

NATIVE MATERIAL OR #57 STONE AS REQUIRED

BELL HOLES REQUIRED. PIPE TO BE CONTINUOUSLY SUPPORTED ALONG LENGTH OF BARREL EXCEPT AT BELL



TYPICAL TRENCHING DETAIL

THE INTENT OF THIS DETAIL IS TO CLARIFY AND NOT SUPERSEDE OR MODIFY THE SPECIFIC REQUIREMENTS AS LISTED IN THE SPECIFICATIONS

SCALE: NTS

REVISION DATE: 11/07/2016